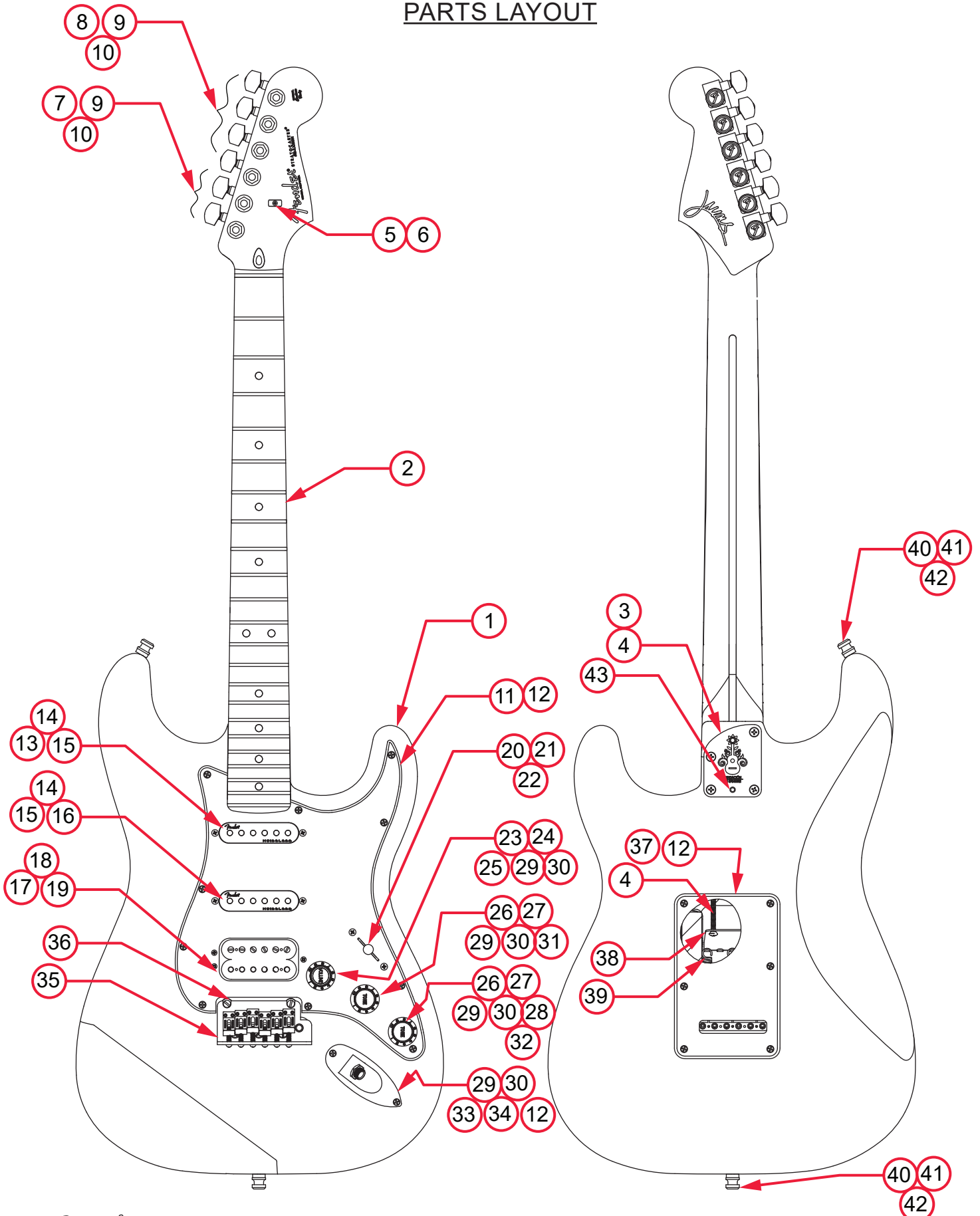


# JUANES STRATOCASTER® (0116512782)

## PARTS LAYOUT



# JUANES STRATOCASTER® (0116512782)

## PARTS LIST

REF#	DESCRIPTION	PART NUMBER
1	BODY JUANES STRAT LN WH	7725226582
2	NECK ASSY JUANES STRAT MPL	7725227000
3	NECK PLATE JUANES STRAT	7725236000
4	SCREW SMA 8 X 1-3/4 OHP NI	0015636049
5	STRING TREE AM ELITE GTR CHR W/HDWR	0992081000
6	SCREW SMA 2 X 9/16 FHP NI	0051621000
7	KEY LOCKING 4,5,6, CHROME (LONG)	0073115049
8	KEY LOCKING 1,2,3, CHROME (SHORT)	0073114049
9	WASHER KEY (6)	0053106049
10	BUSHING KEY (6)	0058820049
11	PICKGUARD STRAT 1-HB P/B/P	0056799000
12	SCREW SMAB 4 X 1/2 OHP NI	0015578049
13	PICKUP ASSY JUANES STRAT NK	7725233000
14	SCREW SPCL #4-40 X 13/16 BRASS #5 HD NI	0050166049
15	TUBING SILICONE RUBBER .500 RED	0063398000
16	PICKUP ASSY JUANES STRAT MID	7725232000
17	PICKUP ASSY JUANES STRAT HB BRDG	7725231000
18	SCREW MACH #3-48 X 13/16 RHP #4 HD NI	0050166049
19	SPRING HB MTG 3/4"	0050167049
20	SWITCH 5-WAY LEVER	0053291049
21	SCREW MACH 6-32 X 5/8 RHP NI	0021417049
22	KNOB LEVER SWITCH PARCH	0056253049
23	KNOB SWITCH STRAT SPSH PARCH	0059267049
24	SWITCH CAP STRAT SPSH VOL PARCH	0059266049
25	STEALTH SWITCH POT ASSY SPSH 250K .25B	0061256049
26	KNOBS STRAT PARCH (1)VOL (2)TONE	0056254049
27	CONTROL 250K 10% TPR SPLIT	0990830000
28	PREAMP ASSY JUANES STRAT WITH LEADS	7725235000
29	NUT HEX 3/8-32 X 3/32 NI	0016352049
30	WASHER LOCKING INTL 3/8 X .687 X .035 NI	0016436049
31	CAP MPF RDL .022uF 250V 10%	0024832049
32	BATTERY PLUG 9 VOLT	0017458000
33	FERRULE JACK CHROME	0991940100
34	JACK PHONE STEREO 12B	0013043049

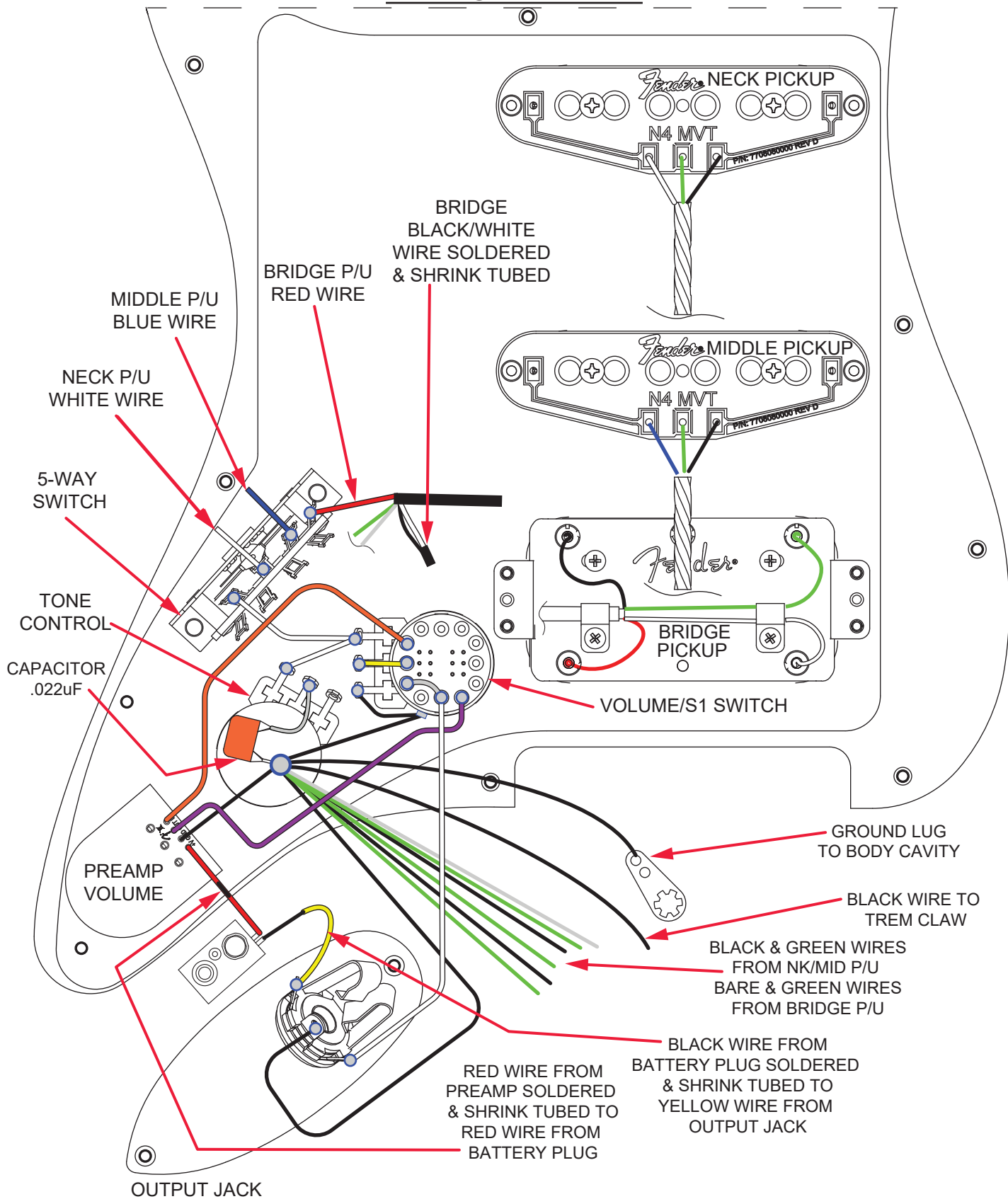
\*= NOT PICTURED IN DIAGRAM





# JUANES STRATOCASTER® (0116512782)


## WIRING ASSEMBLY



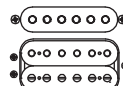
# JUANES STRATOCASTER® (0116512782)

## SWITCH AND CONTROL FUNCTION

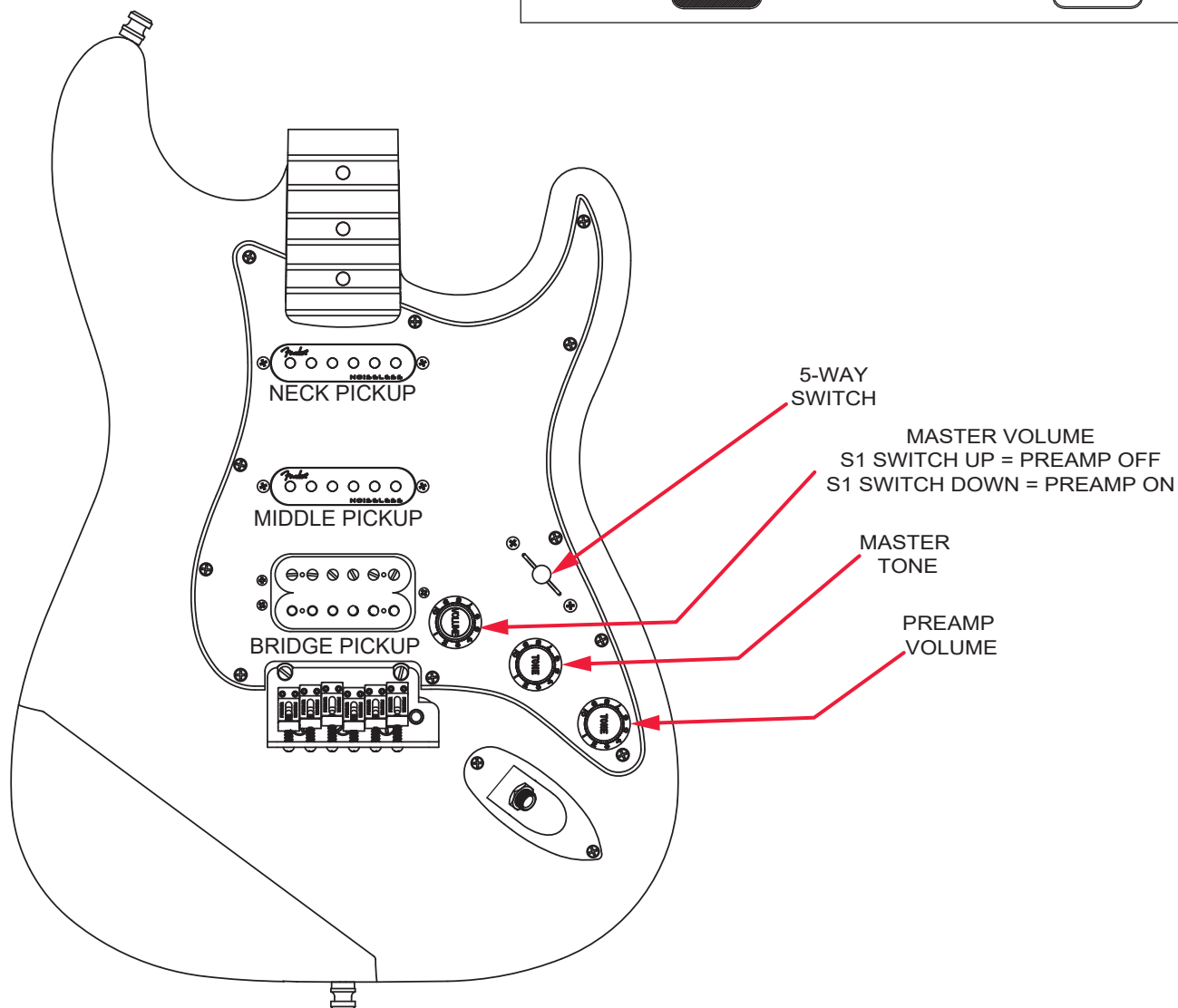
5-WAY SWITCH POSITION	5	4	3	2	1
NECK PICKUP					
MIDDLE PICKUP					
BRIDGE PICKUP					



PICKUP IS ON



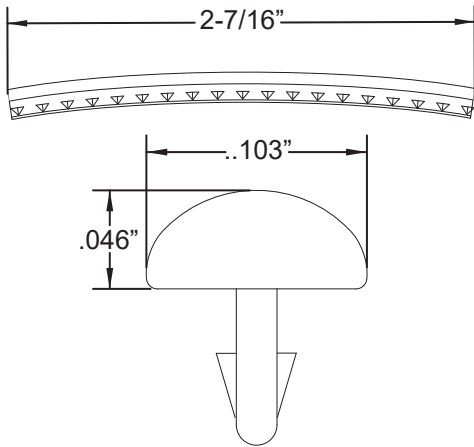
PICKUP IS OFF



# JUANES STRATOCASTER® (0116512782)

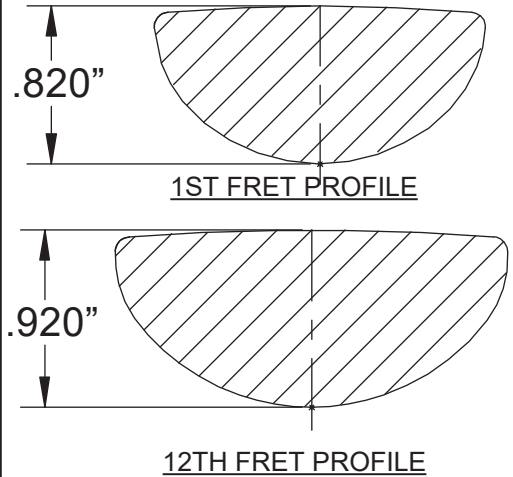
## ADDITIONAL SPECIFICATION DETAIL

**FRET SIZE: MEDIUM JUMBO**  
(FRET DIMENSIONS ARE BEFORE INSTALLATION)

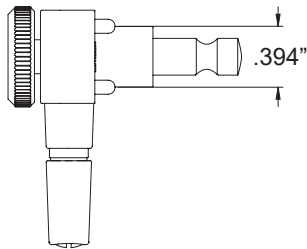


PLEASE NOTE: AS EACH NECK IS SANDED & FINISHED BY HAND, THICKNESS DIMENSIONS MAY VARY SLIGHTLY FROM THOSE SHOWN.

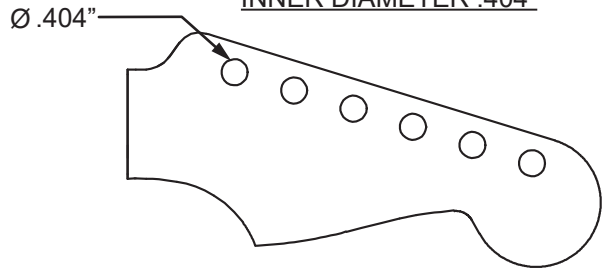
**NECK PROFILE: DEEP "C"**



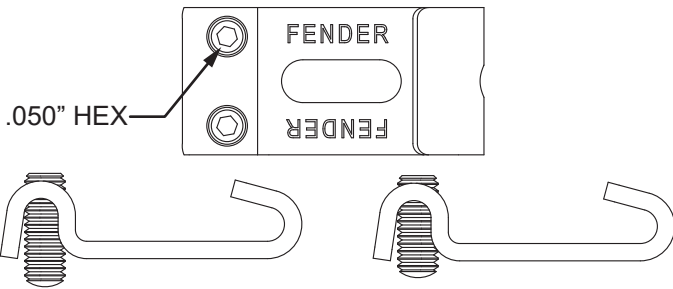
**TUNING MACHINES : P/N 0073115049 (LONG)**  
**0073114049 (SHORT) OUTER SHAFT DIAMETER .394"**



**TUNING MACHINE THRU-HOLE**  
**INNER DIAMETER .404"**

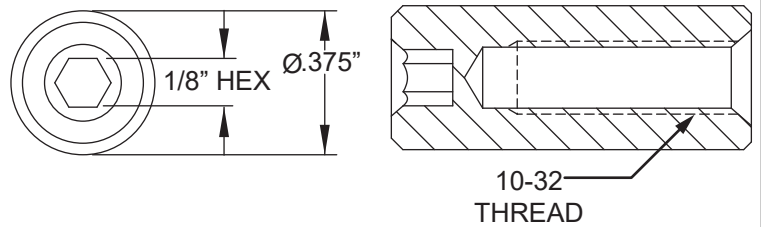


**SADDLE HEIGHT ADJUSTMENT WRENCH:**  
**.050" HEX KEY P/N 0018531049**



**SADDLE HEIGHT ADJUSTMENT SCREWS:**  
**TALL: P/N 0075384000      SHORT: P/N 0075536000**

**TRUSS ROD NUT P/N 0994943000**  
**TRUSS ROD ADJUSTMENT WRENCH:**  
**1/8" HEX KEY P/N 0023811049**



**LOGO: JUANES STRAT**  
**APPLIED UNDER THE FINISH**



### PICKUP SPECIFICATIONS

POSITION	MAGNETS	DC RESISTANCE	POLARITY
NECK	ALNICO 5 UNBEVELED	8.8 - 9.6KΩ	NORTH
MIDDLE	ALNICO 5 UNBEVELED	9.6 - 10.4KΩ	NORTH
BRIDGE	ALNICO 2 BAR	11.35 - 12.15KΩ	SOUTH NORTH