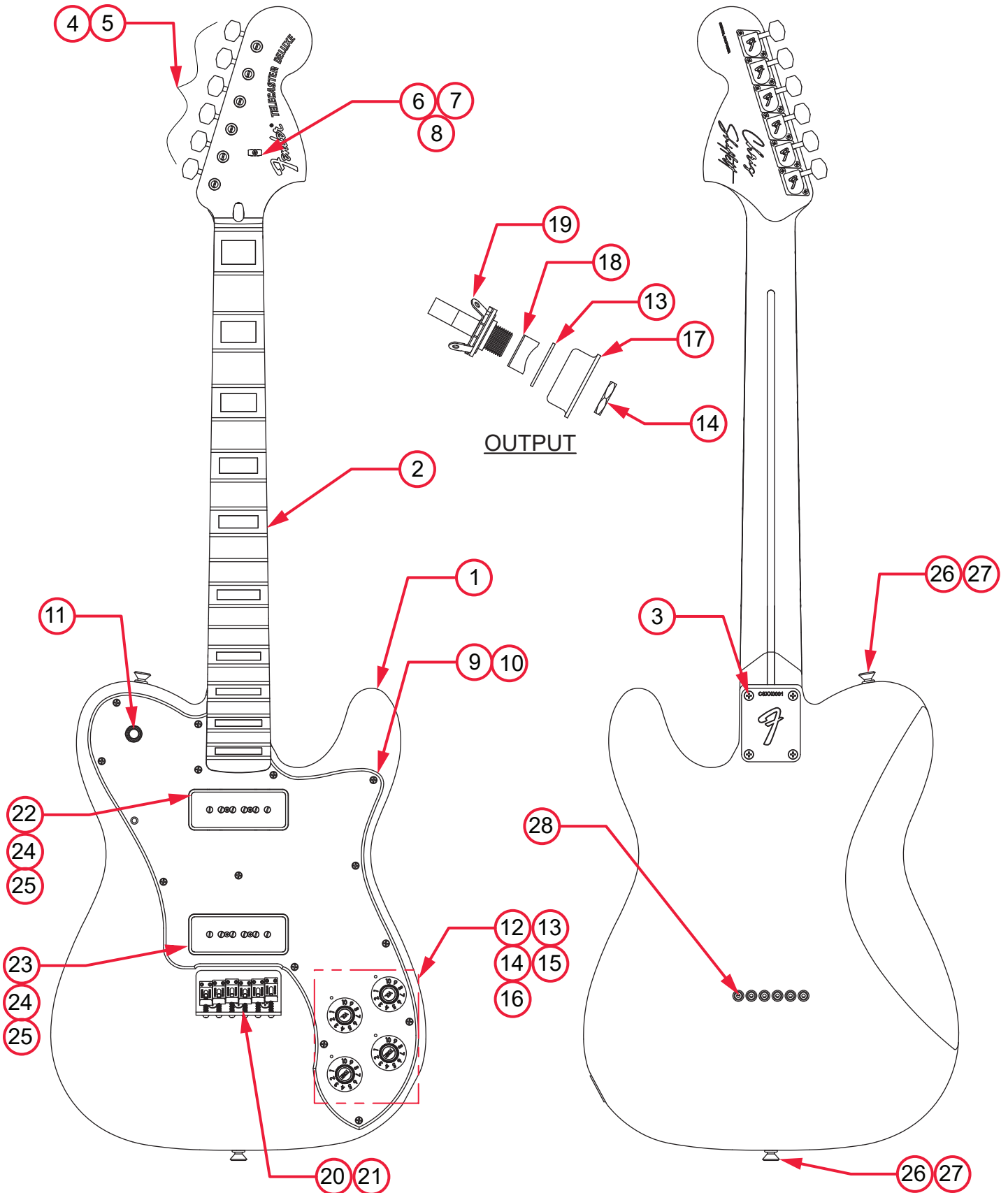


# CHRIS SHIFLETT CLEAVER TELECASTER DELUXE (0117450XXX)

## PARTS LAYOUT



# CHRIS SHIFLETT CLEAVER TELECASTER DELUXE (0117450XXX)

## PARTS LIST

REF#	DESCRIPTION	PART NUMBER
1	BODY C.SHIFLETT CLEAVER TELE DKR	7728334554
1	BODY C.SHIFLETT CLEAVER TELE CFM	7728334569
2	NECK C.SHIFLETT CLEAVER TELE RW DKR	7728333000
2	NECK C.SHIFLETT CLEAVER TELE RW CFM	7730007000
3	SCREW SMA 8 X 1-3/4 OHP NI	0015636049
4	KEY GTR 70S F SHORT RH CHR SET W/HDWR	0990822100
5	SCREW SMAB 3 X 3/8 RHP STL NI	0011357049
6	STRING TREE VINT NI	0093569000
7	SCREW SMA 3 X 5/8 RHP STL NI	0011358049
8	SPACER STRING TREE 65 STRAT NYLON	0093999000
9	PICKGUARD C.SHIFLETT TELE DLX MG/B/MG	7728336000
9	PICKGUARD C.SHIFLETT TELE DLX P/B/P	7730019000
10	SCREW SMAB 4 X 1/2 OHP NI	0015578049
11	TOGGLE SWITCH RH ANGLE 3-POS AW W/HDWR	0053694000
12	CONTROL 500K A-TAPER .52 X .625 SOSH	0079409000
13	WASHER LOCKING INTL 3/8 X .687 X .035 NI	0016436049
14	NUT HEX 3/8-32 X 3/32 TK NI	0016352049
15	CAP CD .05uF 100V 20%	0015552049
16	KNOBS 72 TELE CUSTOM BLK 2-VOL/2-TONE	0054521049
17	FERRULE JACK TELE NI	0991941000
18	RETAINER JACK NI TELE	0010355069
19	JACK PHONE OPEN CIRCUIT 11	0021956049
20	BRIDGE ASSY AM VINT II 72 TELE THINLINE HARDTAIL	7725616000
20A	BRIDGE PLATE VINT NON TREM	0010322000
20B	BRIDGE SECTION VINT STRAT SET W/HDWR	0992051000
20C	SET SCREW 4-40 X 3/8 HEX SOCKET CUP SS	0032782049
20D	SET SCREW 4-40 X 5/16 HEX SOCKET CUP SS	0016071049
20E	SCREW MACH 4-40 X 5/8 RHP NI	0015693049
20F	SPRING 5/16 X .115 X .023 5-COIL NG NI	0019281000
20G	SPRING 1/2 X .115 X .023 6-COIL NG NI	0056138000
21	SCREW SMA 8 X 1 FHP NI	0056622000
22	PICKUP ASSY P180 CHRIS SHIFLETT NK	7728316000
23	PICKUP ASSY P180 CHRIS SHIFLETT BRDG	7728317000
24	SCREW WOOD #3 X 1-3/4 OHP STL BLX #2 HEAD	7728513000
25	WEATHERSTRIP 3/8 X 3/8 OPN CL	0017333049

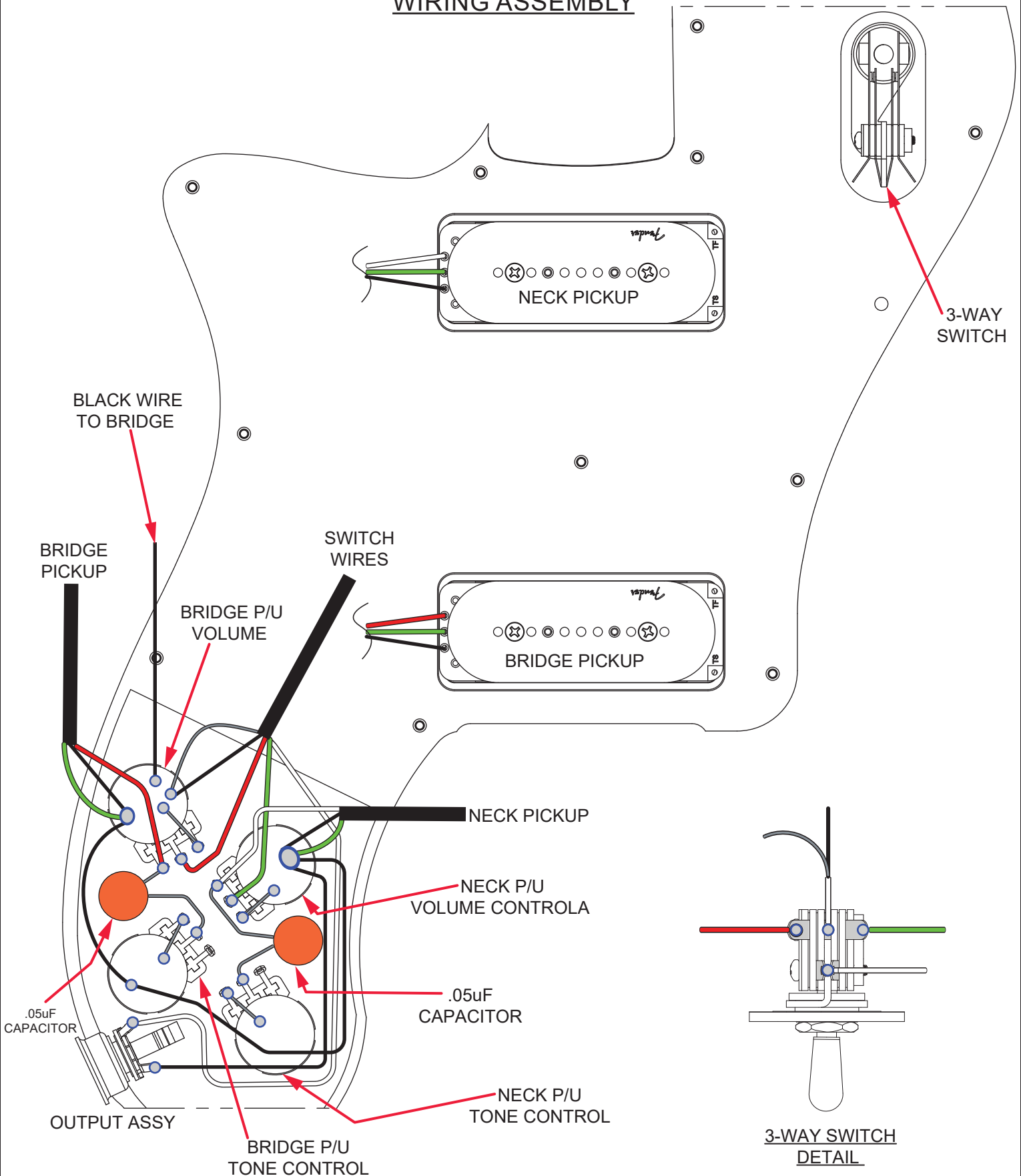
\*= NOT PICTURED IN DIAGRAM





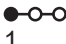

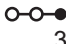


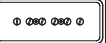
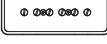




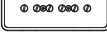
# CHRIS SHIFLETT CLEAVER TELECASTER DELUXE (0117450XXX)

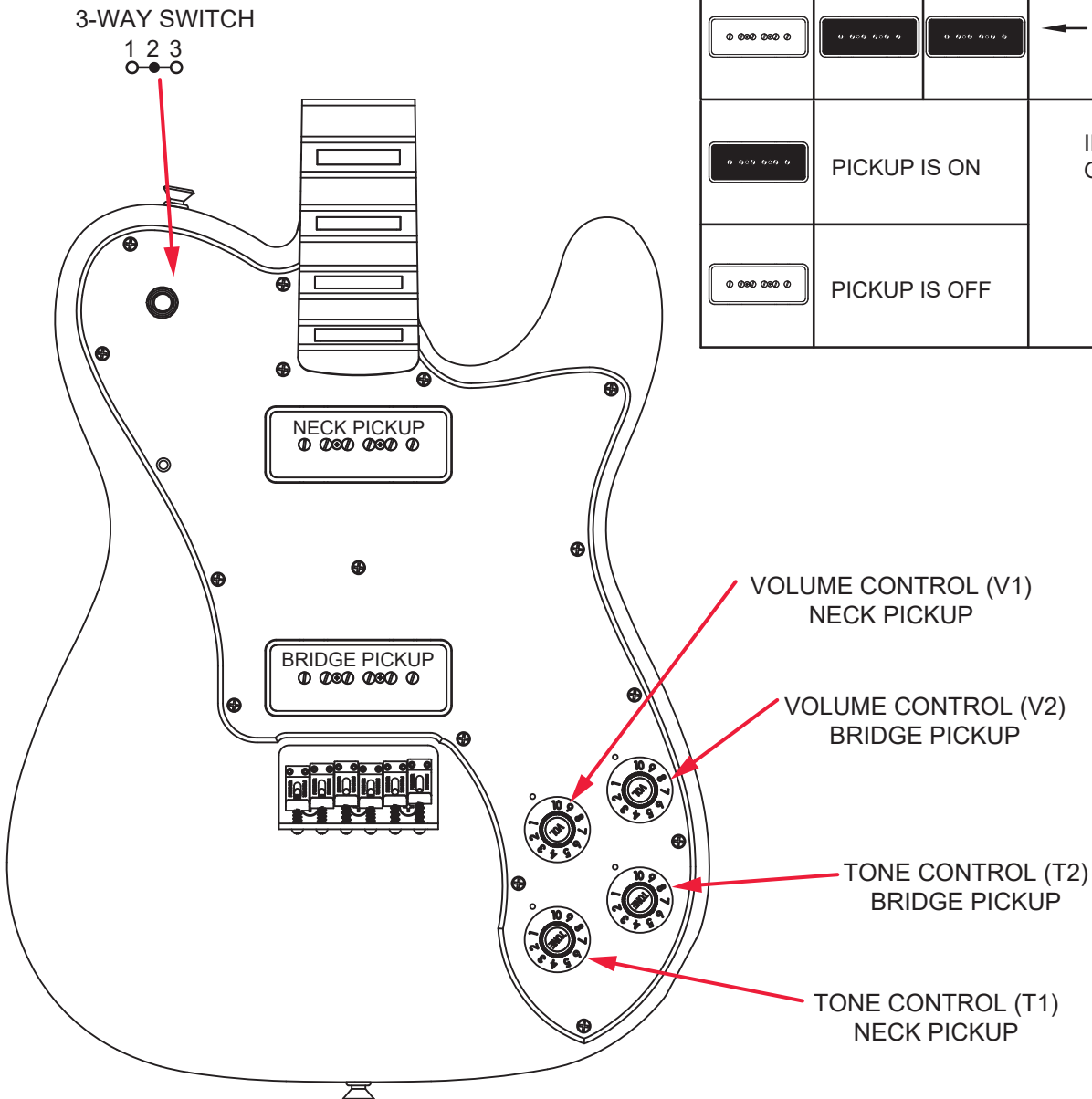
## WIRING ASSEMBLY



# CHRIS SHIFLETT CLEAVER TELECASTER DELUXE (0117450XXX)

## SWITCH AND CONTROL FUNCTION

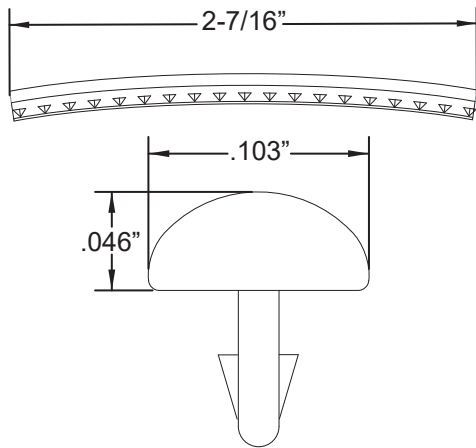
3 WAY SWITCH POSITION			
			← 3 WAY SWITCH POSITION
V1 - T1	V1 - V2 T1 - T2	V2 - T2	← CONTROLS
			← NECK PICKUP
			← BRIDGE PICKUP
	PICKUP IS ON		INDICATES POSITION OF 3 WAY SWITCH 
	PICKUP IS OFF		



# CHRIS SHIFLETT CLEAVER TELECASTER DELUXE (0117450XXX)

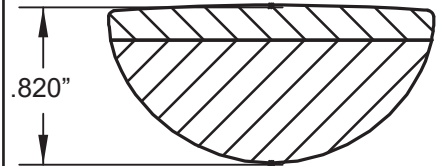
## ADDITIONAL SPECIFICATION DETAIL

FRET SIZE: MEDIUM JUMBO  
(FRET DIMENSIONS ARE BEFORE INSTALLATION)

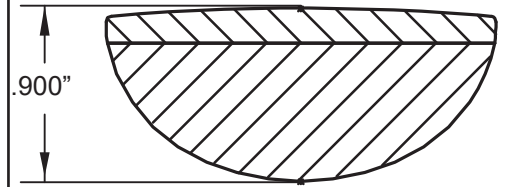


PLEASE NOTE: AS EACH NECK IS SANDED & FINISHED BY HAND, THICKNESS DIMENSIONS MAY VARY SLIGHTLY FROM THOSE SHOWN.

NECK PROFILE CHRIS SHIFLETT "C"

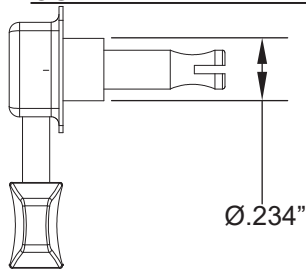


1ST FRET PROFILE

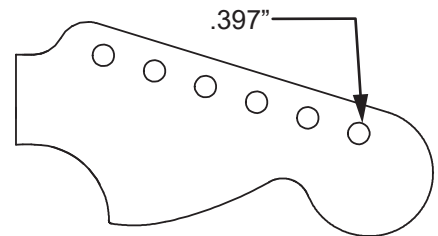


12TH FRET PROFILE

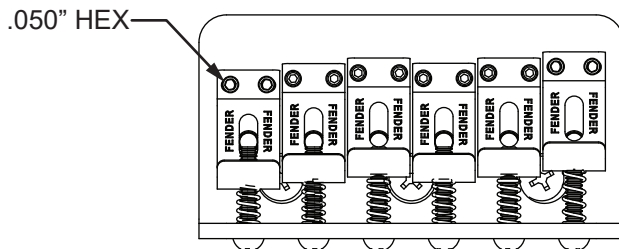
TUNING MACHINE SET W/HDWR : P/N 0990822100  
OUTER SHAFT DIAMETER .234"



TUNING MACHINE THRU-HOLE  
INNER DIAMETER .397"

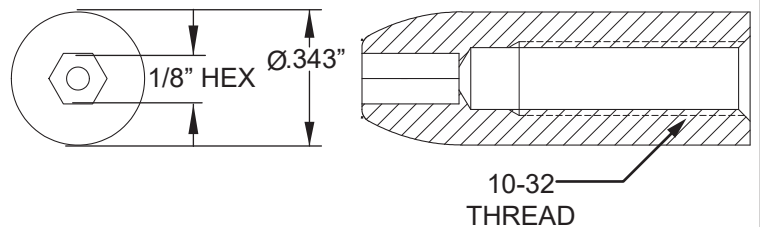


SADDLE HEIGHT ADJUSTMENT WRENCH:  
.050" HEX KEY P/N 0018531049



SADDLE HEIGHT ADJUSTMENT SCREWS:  
TALL: P/N 0016071049      SHORT: P/N 0032782049

TRUSS ROD NUT P/N 0994945000  
TRUSS ROD ADJUSTMENT WRENCH:  
1/8" HEX KEY P/N 0023811049



LOGO: AM VINT II 75 TELE DLX  
APPLIED UNDER THE FINISH



### PICKUP SPECIFICATIONS

POSITION	MAGNETS	DC RESISTANCE	POLARITY
NECK	ALNICO 5 BAR	12.83 - 13.63KΩ	NORTH
BRIDGE	ALNICO 5 BAR	13.71 - 14.56KΩ	SOUTH