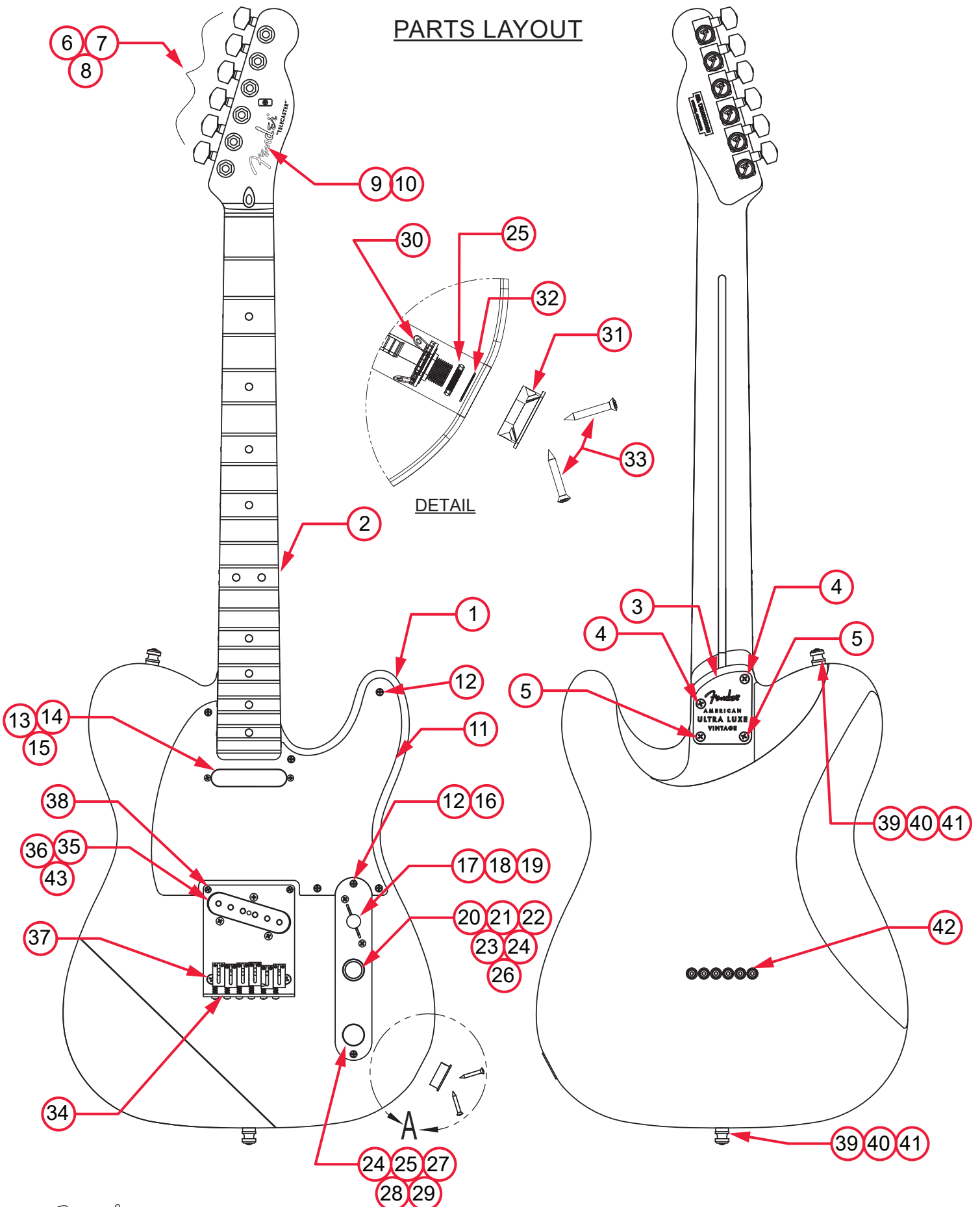


# AMERICAN ULTRA LUXE VINTAGE 50'S TELECASTER® (0118240XXX)

## PARTS LAYOUT



# AMERICAN ULTRA LUXE VINTAGE 50'S TELECASTER® (0118240XXX)

## PARTS LIST

REF#	DESCRIPTION	PART NUMBER
1	BODY AM ULTRA LUX VINT 50S TELE ALD WBL HRLM	7729882501
1	BODY AM ULTRA LUX VINT 50S TELE ALD BTB HRLM	7729882550
2	NECK ASSY AM ULTRA LUX VINT 50S TELE MPL HRLM	7729594000
3	NECK PLATE GUITAR AM ULTRA LUX VINT HRLM	7730317300
4	SCREW SMA 8 X 1-1/4 OHP NI HRLM	0072900300
5	SCREW SMA 8 X 1-1/2 OHP NI HRLM	7716272300
6	KEY LOCKING SHORT POST	7728723300
7	WASHER KEY CHR HRLM	0053106300
8	BUSHING KEY CHRM HRLM	0053107300
9	STRING TREE AM ELITE GTR CHR HRLM	7708381300
10	SCREW SMA 2 X 9/16 FHP NI HRLM	0051621300
11	PICKGUARD VINT TELE BLK SHLD HRLM	7729598300
12	SCREW SMAB 4 X 1/2 OHP NI HRLM	0015578300
13	PICKUP VINT II 51 TELE NK RWRP HRLM	7729546300
14	TUBING SILICONE RUBBER .500 RED	0063398000
15	SCREW MACH 4-40 X 7/8 RHP STL NI HRLM	7700222300
16	CONTROL PLATE TELE ANGLE SWITCH CHR HRLM	7719173300
17	SWITCH 3-WAY LEVER	0992041000
18	SCREW MACH 6-32 X 5/8 RH NI HRLM	0021417300
19	KNOB SWITCH TELE NYLON INSERT BLK HRLM	7728973300
20	SW/POT ASSY S-1 250K .25B SOSH	0078979000
21	COUPLING SLEEVE SOSH .320	0059278049
22	TELE/P-BASS SWITCH CAP CHR HRLM	0059270300
23	TELE/P-BASS SW KNOB HEAVY KNURL CHR HRLM	0096224300
24	WASHER LOCKING INTL 3/8 X .687 X .035 NI	0016436049
25	NUT HEX 3/8-32 X 3/32 TK NI	0016352049
26	PCB ASSY TRB BLEED AM PRO STRAT/TELE	7711092000
27	CONTROL 250K 10% TAPER SOSH	0078781000
28	KNOB HEAVY DIAMOND KNURL CHR HRLM	0096227300
29	CAPACITOR ORANGE DROP .022uF 100V 5%	7727719000
30	JACK PHONE OPEN CIRCUIT 11	0021956049
31	ELECTROSOCKET CHR HRLM	0076007300
32	WASHER LOCKING INTL 3/8 X .500 X .020 NI	0022384049
33	SCREW SMAB 5 X 1 OHP STL NI HRLM	0056156300

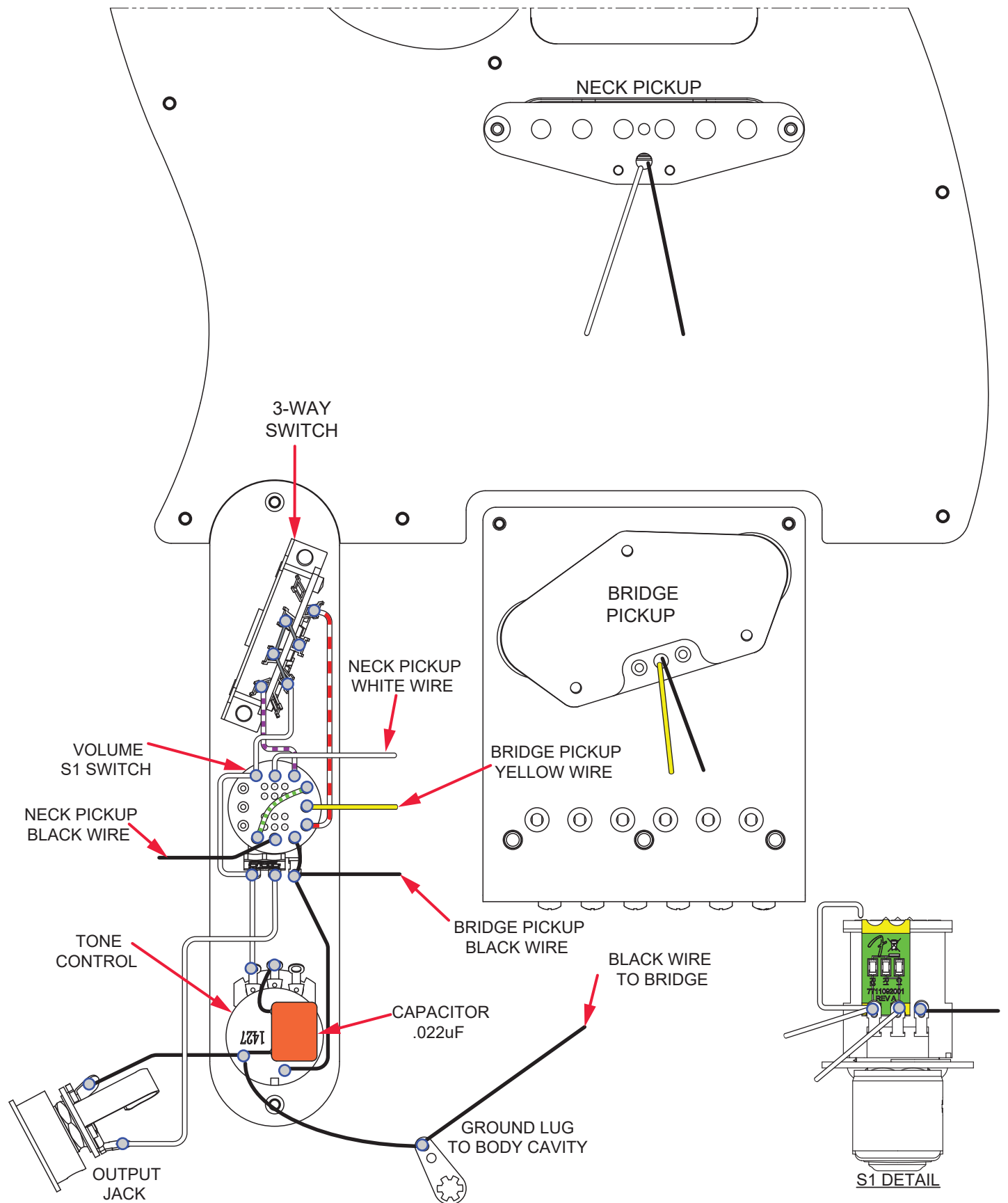
\*= NOT PICTURED IN DIAGRAM





# AMERICAN ULTRA LUXE VINTAGE 50'S TELECASTER® (0118240XXX)

## WIRING ASSEMBLY



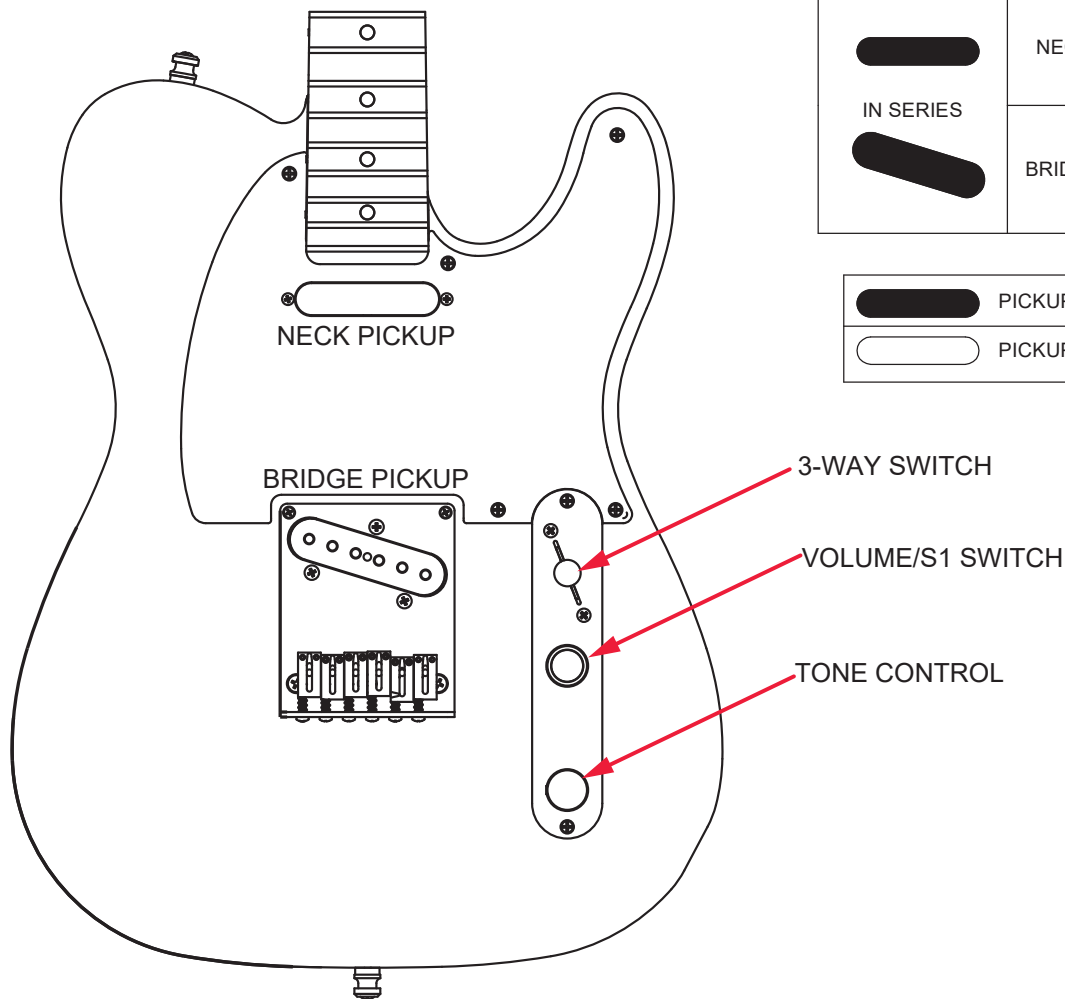
# AMERICAN ULTRA LUXE VINTAGE 50'S TELECASTER® (0118240XXX)

## SWITCH AND CONTROL FUNCTION

3 WAY SWITCH POSITION, S-1 OFF			
			3 WAY SWITCH
			NECK PICKUP
			BRIDGE PICKUP

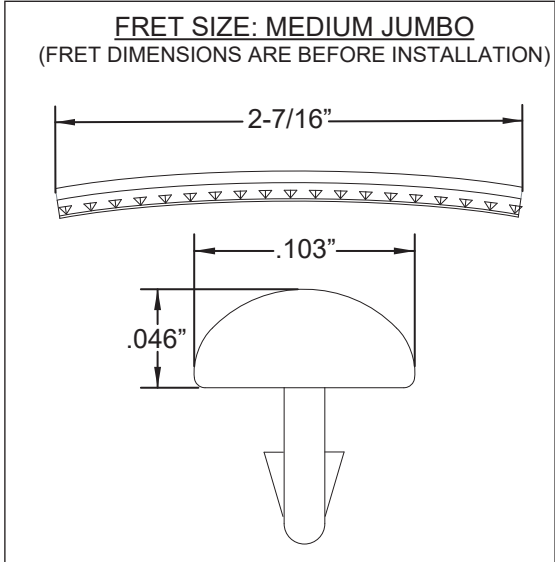
3 WAY SWITCH BYPASSED, S-1 ON	
	NECK PICKUP
	BRIDGE PICKUP

	PICKUP IS ON
	PICKUP IS OFF

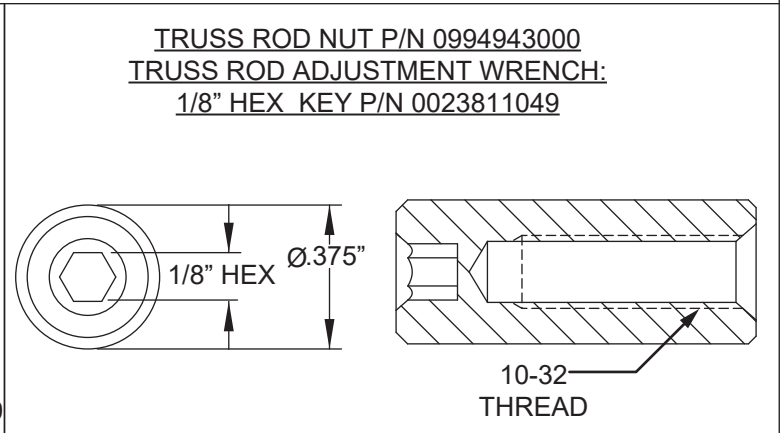
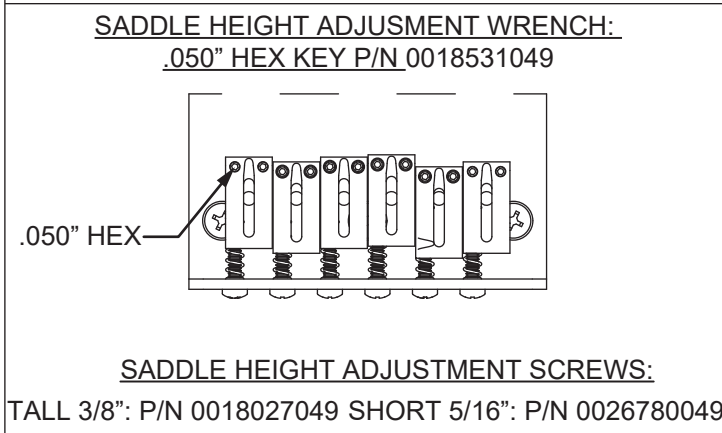
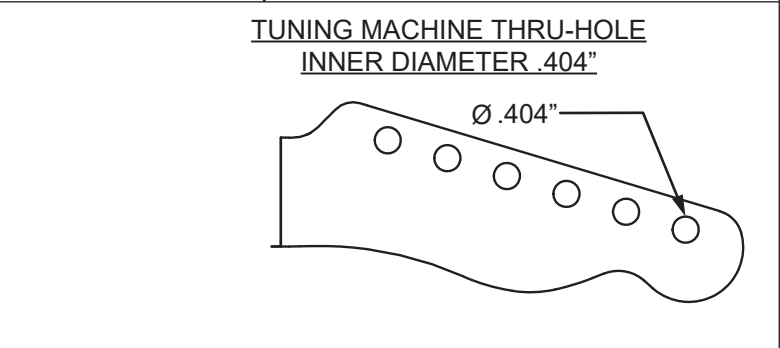
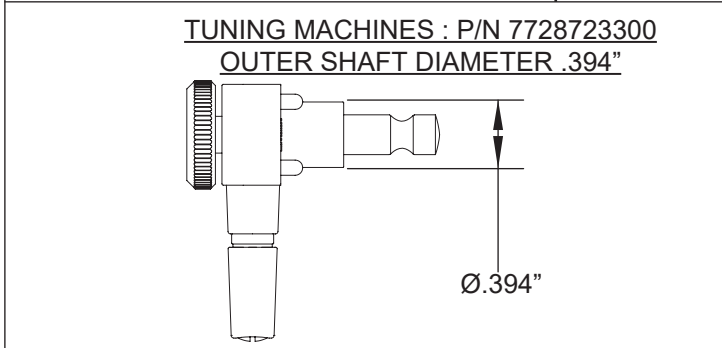
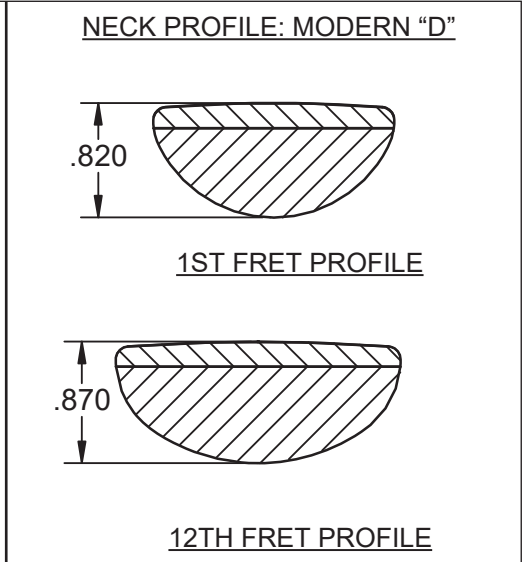


# AMERICAN ULTRA LUXE VINTAGE 50'S TELECASTER® (0118240XXX)

## ADDITIONAL SPECIFICATION DETAIL



PLEASE NOTE: AS EACH NECK IS SANDED & FINISHED BY HAND, THICKNESS DIMENSIONS MAY VARY SLIGHTLY FROM THOSE SHOWN.



**LOGO: AM ULTRA LUXE 60S TELE**  
**APPLIED OVER THE FINISH**

**PICKUP SPECIFICATIONS**

POSITION	MAGNETS	DC RESISTANCE	POLARITY
NECK	ALNICO 3 UNBEVELED	7.65 - 7.95KΩ	SOUTH
BRIDGE	ALNICO 3 UNBEVELED	7.0 - 7.3KΩ	NORTH