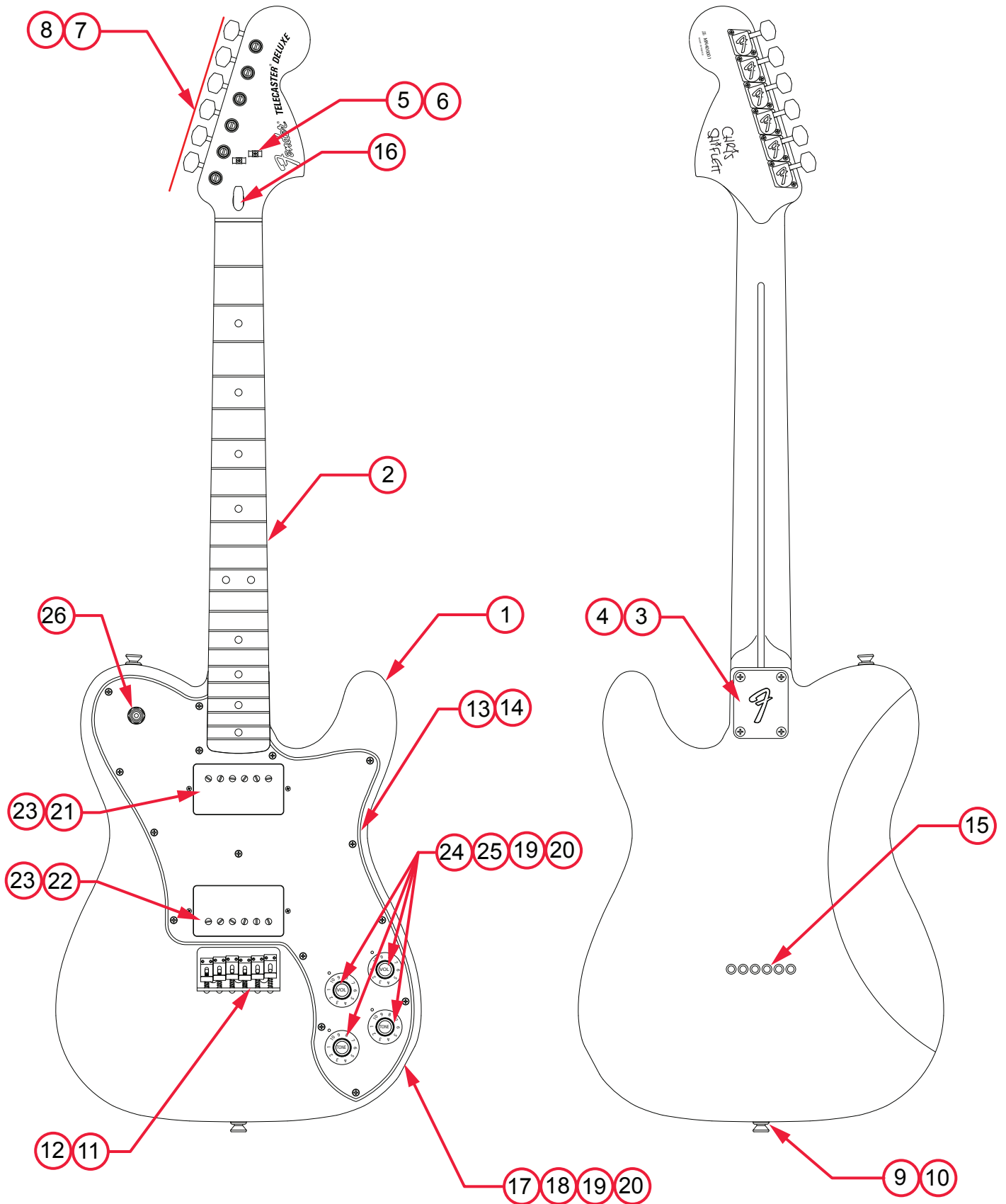


CHRIS SHIFLETT DELUXE TELECASTER (014-2400-XXX)

PARTS LAYOUT



CHRIS SHIFLETT DELUXE TELECASTER (014-2400-XXX)

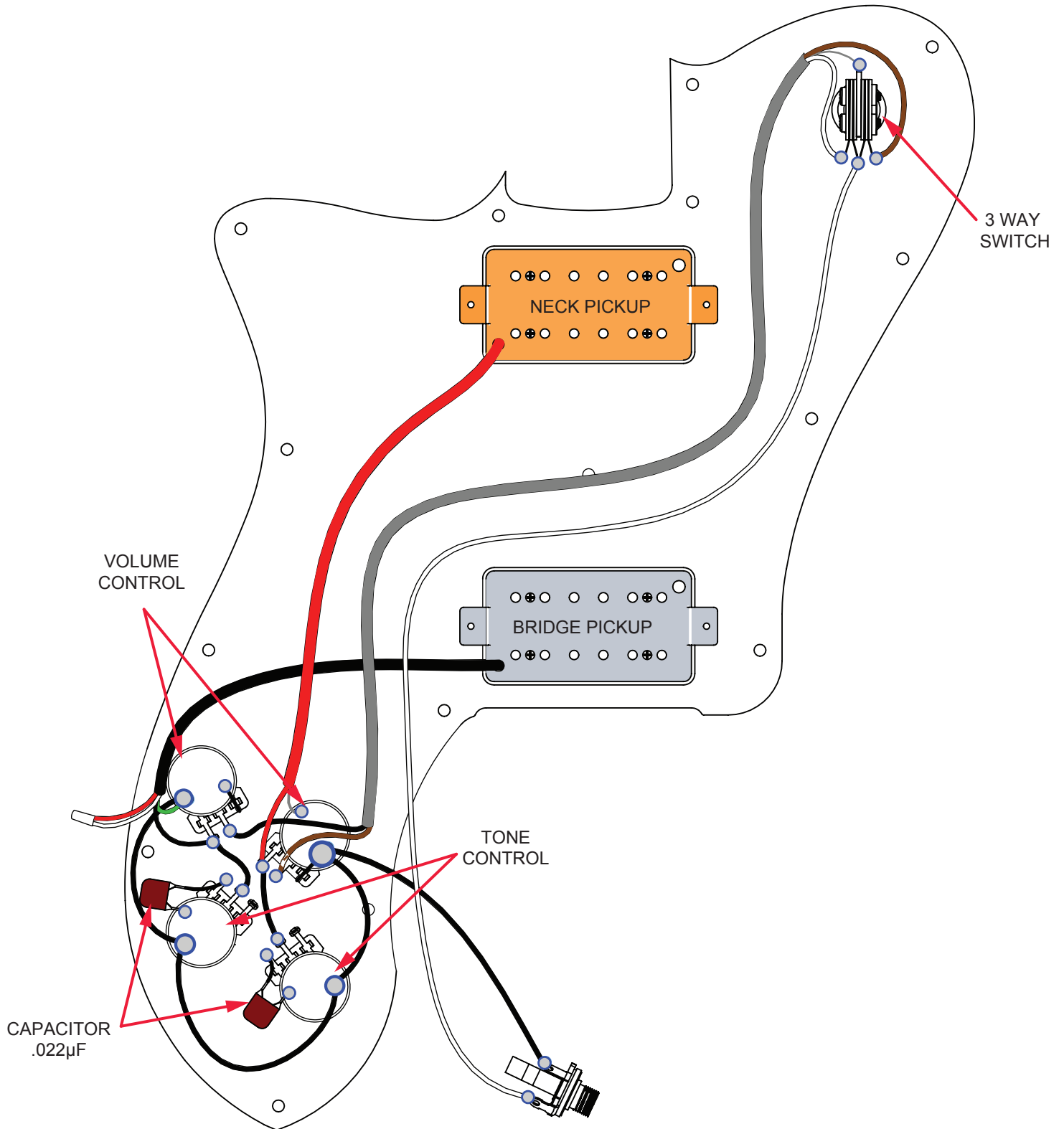
PARTS LIST

REF #	DESCRIPTION	PART NUMBER
1	BODY TELE CHRIS SHIFLETT AWT	0096285580
2	NECK TELE CHRIS SHIFLETT RW	0096286000
3	NECK PLATE CHRIS SHIFLETT "F" BH	0096553000
4	SCRW SMA 8x1-3/4 OHP NI	0015636049
5	STRING TREE, VINTAGE NI	0093569000
6	SCRW SMA 3x5/8 RHP NI	0011358049
7	'70's "F" TUNERS, CHROME	0990822100
8	SCRW SMAB 3x3/8 RHP NI	0011357049
9	BUTTON STRAP KR	0081157000
10	SCREW SM OV HD 5 X 1	0015610049
11	TELE HARDTAIL BRIDGE	0081150000
12	SCRW WOOD 6x1 OHP NI	0016188049
13	PG CHRIS SCHIFLETT PRLD W/B/W	0096236000
14	SCRW SMAB 4x1/2 OHP NI	0015578049
15	FERRULE STRING CHROME KR	0081154000
16	BULLET TRUSS ROD NUT	0994945000
17	JACK FERRULE, TELE, NICKEL	0991941000
18	JACK PHONE 1/4	0047329049
19	WASHER LOCK INTL 3/8 X .687	0016436049
20	NUT HEX 3/8-32x3/32 TK NI	0016352049
21	PICKUP HUMBUCKER Ch Cvr NK KR	0081148000
22	PICKUP CHRIS SHIFLETT BRIDGE NICKEL	0094820000
23	SPRING HB MTG 3/4"	0050167049
24	KNOBS 72 TELE CUST VOL/TONE	0054521049
25	ORIG T/V CNTRL 250K SOLID SHFT	0990831000
26	SWITCH TOGGLE KR BLK KNOB CHR RING	0081139000



CHRIS SHIFLETT DELUXE TELECASTER (014-2400-XXX)

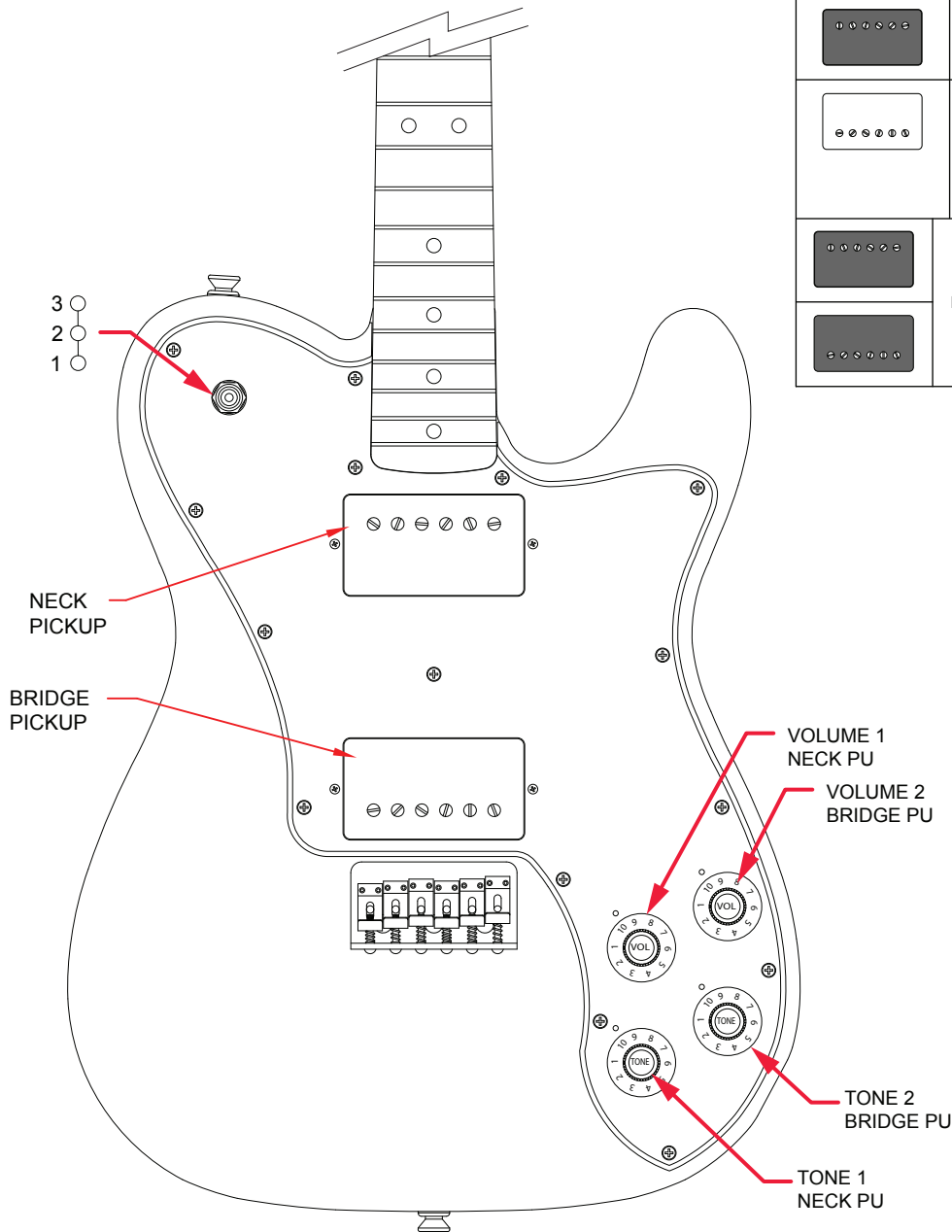
WIRING DIAGRAM



CHRIS SHIFLETT DELUXE TELECASTER (014-2400-XXX)

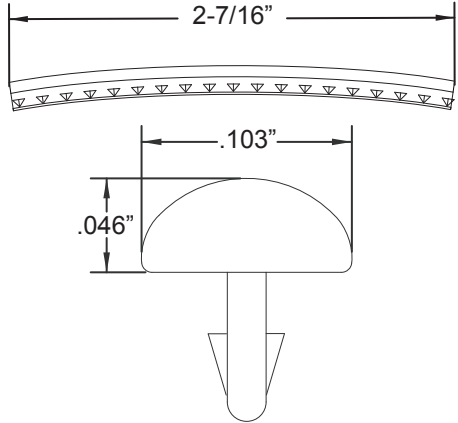
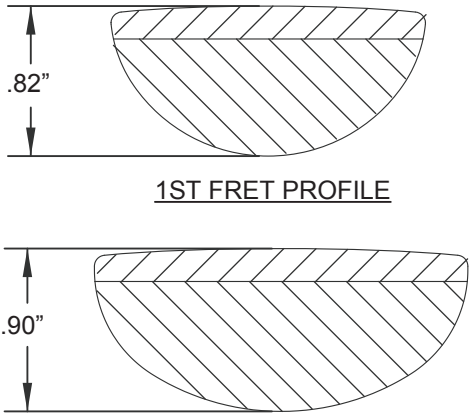
SWITCH AND CONTROL FUNCTION

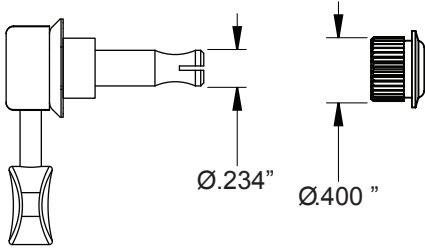
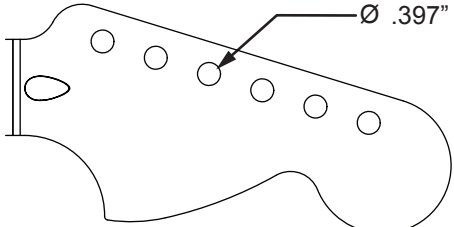
3-WAY SWITCH POSITION			
			SWITCH POSITION
V1	V1 & V2	V2	VOLUME CONTROL
T1	T1 & T2	T2	TONE CONTROL
			NECK PICKUP
			BRIDGE PICKUP
	PICKUP IS ON		PICKUP IS OFF



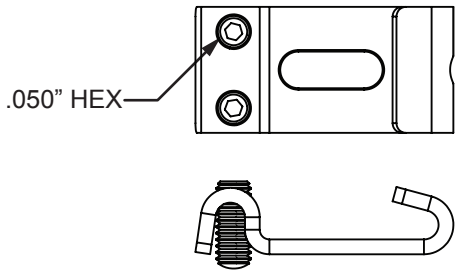
CHRIS SHIFLETT DELUXE TELECASTER (014-2400-XXX)

ADDITIONAL SPECIFICATION DETAIL

<p>FRET SIZE: MED JUMBO (FRET DIMENSIONS ARE BEFORE INSTALLATION)</p> 	<p>PLEASE NOTE: AS EACH NECK IS SANDED & FINISHED BY HAND, THICKNESS DIMENSIONS MAY VARY SLIGHTLY FROM THOSE SHOWN.</p>	<p>NECK PROFILE: MODERN "C"</p>  <p style="text-align: center;">1ST FRET PROFILE</p> <p style="text-align: center;">12TH FRET PROFILE</p>
--	---	---

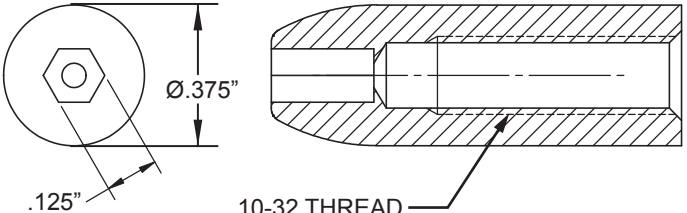
<p>'70's "F" TUNERS, CHROME. P/N 0990822100</p> 	<p>TUNING MACHINE THRU-HOLE INNER DIAMETER .397"</p> 
---	--

**SADDLE HEIGHT ADJUSTMENT WRENCH:
.050" HEX KEY**



.050" HEX

TRUSS ROD NUT P/N 0994945000

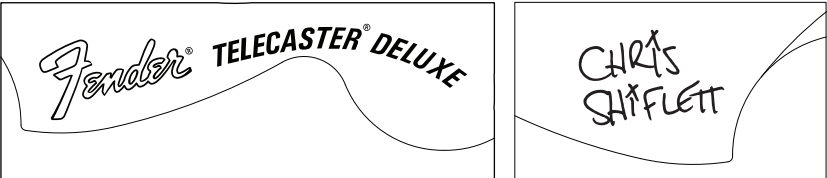


Ø.375"

.125"

10-32 THREAD

LOGO: DECAL 70's TELE DELUXE
SIGNATURE: CHRIS SHIFLETT
APPLIED UNDER THE FINISH



PICKUP SPECIFICATIONS			
POSITION	MAGNETS	DC RESISTANCE	POLARITY
NECK	ALNICO 5	13.18KΩ	SOUTH
BRIDGE	ALNICO 5	16.4KΩ	NORTH