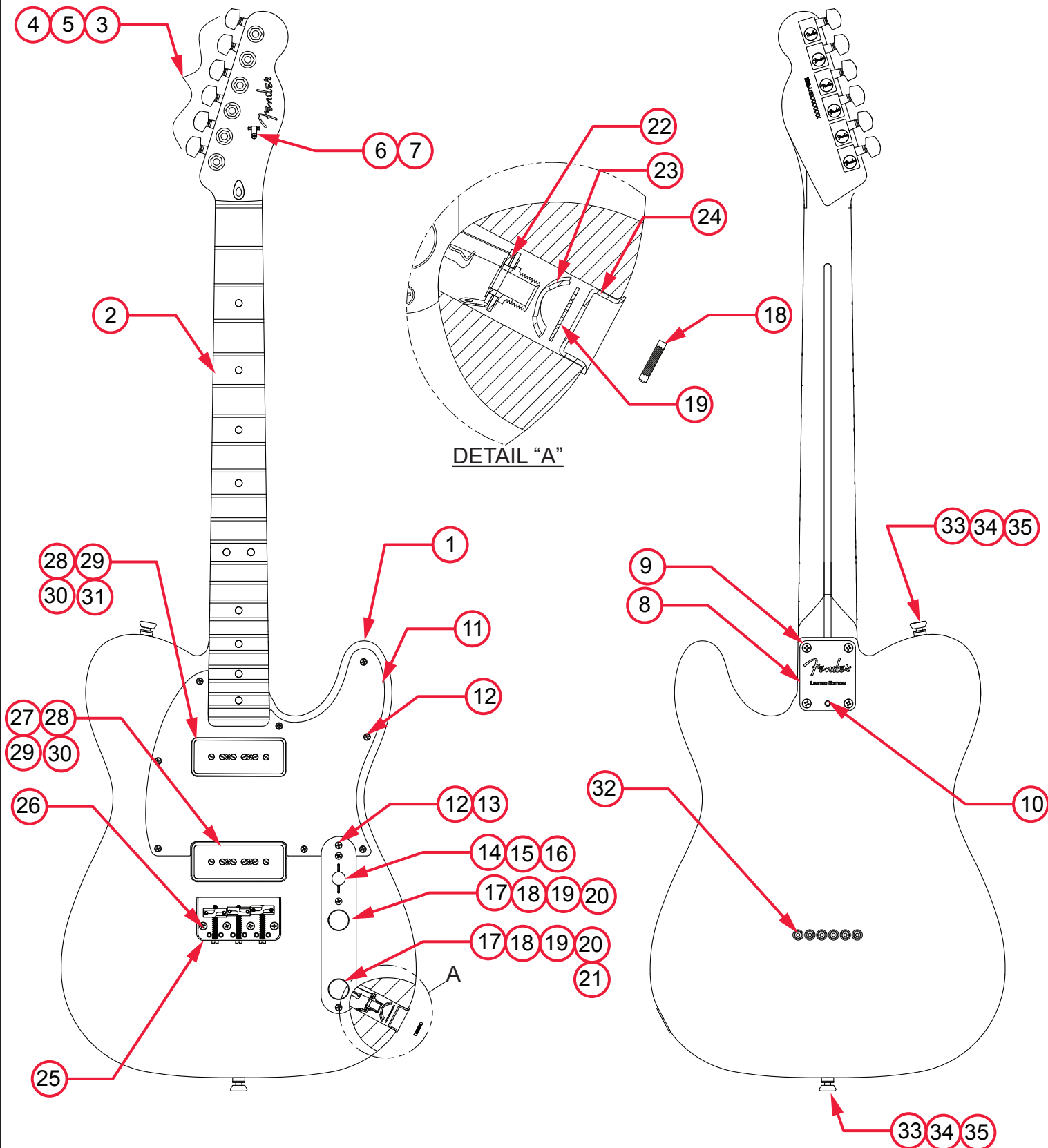


LTD ED MALAYSIAN BLACKWOOD P90 TELECASTER

(0175107721)

PARTS LAYOUT



LTD ED MALAYSIAN BLACKWOOD P90 TELECASTER

(0175107721)

PARTS LIST

| REF# | DESCRIPTION | PART NUMBER |
|------|---|-------------|
| 1 | BODY LTD ED MAL BLK WD P90 TELE | 7711149521 |
| 2 | NECK ASSY LTD ED AM PRO TELE FLAME MPL | 7711221000 |
| 3 | KEYS DUAL PIN MTG SET W/HDWR 2 SHORT 4 LONG | 0990820100 |
| 4 | KEY BUSHING SET | 0058820049 |
| 5 | KEY WASHER SET | 0053106049 |
| 6 | STRING GUIDE AM STD SET W/HDWR | 0994911000 |
| 7 | SCREW SMAB 3 X 3/8 RHP NI | 0011357049 |
| 8 | PLATE NECK SPAG LOGO LTD ED TILT CHROME | 0080684000 |
| 9 | SCREW SMA 8 X 1-3/4 OHP NI | 0015636049 |
| 10 | SET SCREW 1/4-20 X 3/8 OP NI HEX | 0031571000 |
| 11 | PICKGUARD TELE P90 ALUMINUM BLACK | 7711155000 |
| 12 | SCREW SMAB 4 X 1/2 OHP NI | 0015578049 |
| 13 | CONTROL PLATE TELE VINT ALUM CHROME | 0093823000 |
| 14 | SWITCH 3-WAY LEVER | 0992041000 |
| 15 | SCREW MACH 6-32 X 5/8 RH NI | 0994925000 |
| 16 | KNOB SWITCH VINT TELE | 0994936000 |
| 17 | KNOB CONTROL ALUM CHROME | 0095799049 |
| 18 | NUT HEX 3/8-32 X 3/32 TK NI | 0016352049 |
| 19 | WASHER LOCK INTL 3/8 X .687 | 0016436049 |
| 20 | CONTROL 500K A.TAPER .25 X .625 S.SHAFT | 0079409000 |
| 21 | CAPACITOR CERAMIC DISC .1MFD 50V | 0094393000 |
| 22 | OUTPUT ASSY TELECASTER | 0040808000 |
| 23 | RETAINER JACK TELE NI | 0010355069 |
| 24 | FERRULE JACK STD TELE CHROME | 0021452000 |
| 25 | BRIDGE ASSY GE SMITH MODIFIED | 7711128000 |
| 25A | BRIDGE PLATE GE SMITH TELE CHROME | 0072653000 |
| 25B | SCREW MACH 6-32 X 1-1/4 FLHS NI | 0018377049 |
| 25C | SPRING COMPRESSION 1-1/16 # 144 | 0018689000 |
| 25D | BRIDGE SECTION AM PRO TELE STD | 7709970000 |
| 25E | BRIDGE SECTION AM PRO TELE REVERSED | 7710421000 |
| 25F | SET SCREW 6-32 X 3/8 OP NI HEX | 7710028049 |
| 25G | SET SCREW 6-32 X 5/16 OP NI HEX | 7710028049 |
| 26 | SCREW SMA #6 X 1 OHP NI | 0037952049 |
| 27 | PICKUP ASSY P-90 BRIDGE BLACK | 7708084000 |
| 28 | PICKUP COVER P90 BLACK | 7707977000 |
| 29 | WEATHERSTRIP 3/8 X 3/8 OPN CL RUBBER | 0017333049 |

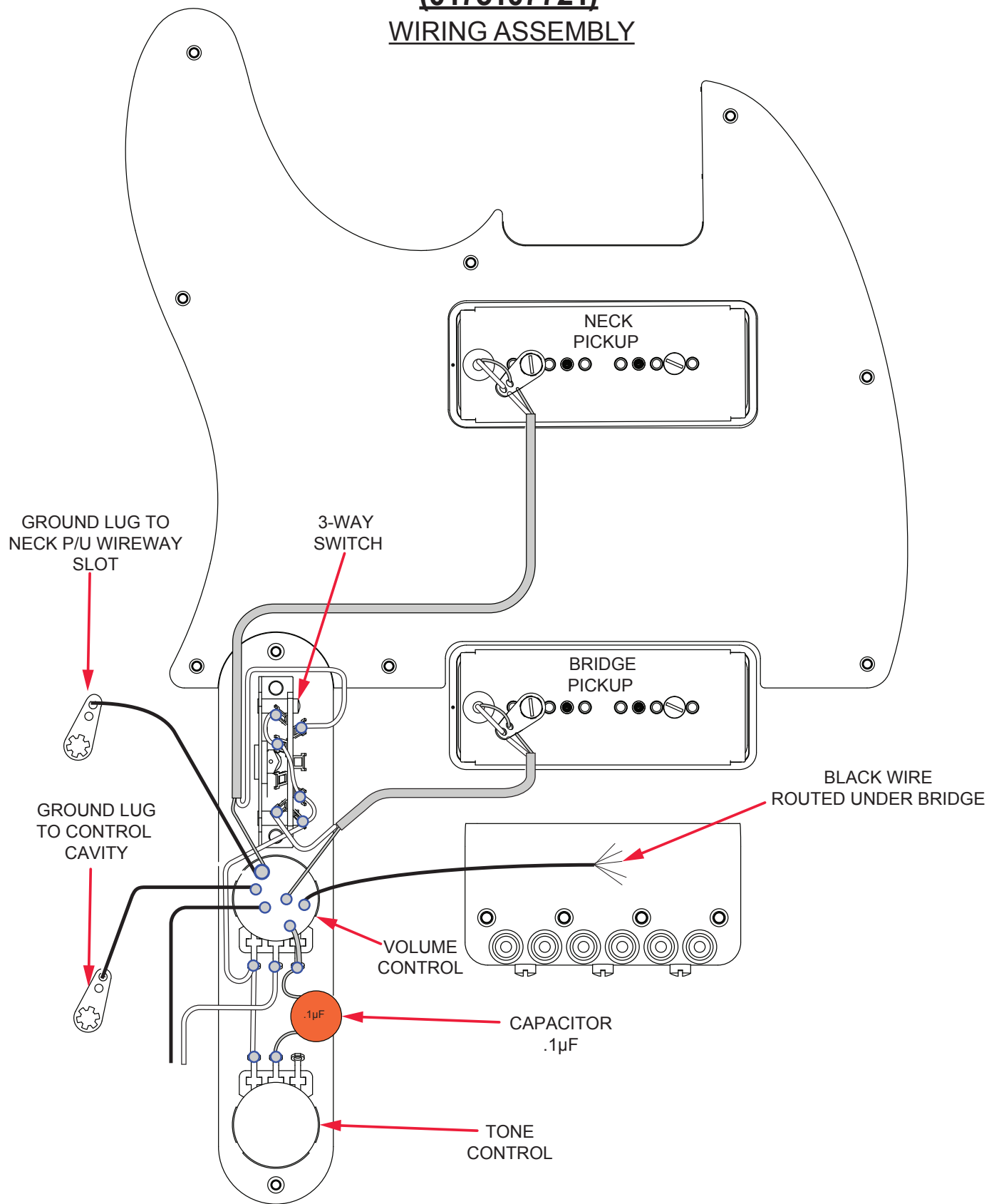
*= NOT PICTURED IN DIAGRAM



LTD ED MALAYSIAN BLACKWOOD P90 TELECASTER

(0175107721)

WIRING ASSEMBLY

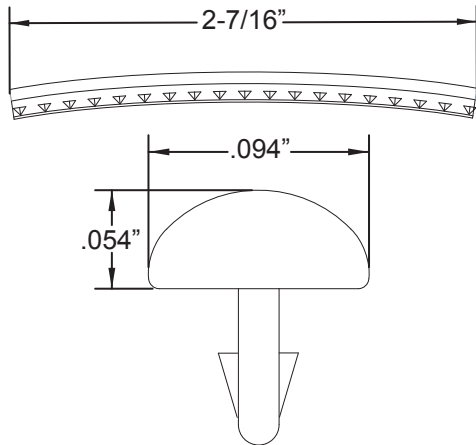


LTD ED MALAYSIAN BLACKWOOD P90 TELECASTER

(0175107721)

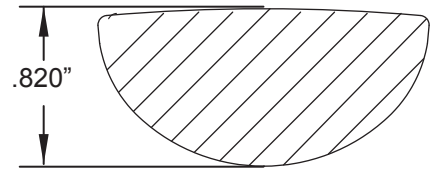
ADDITIONAL SPECIFICATION DETAIL

FRET SIZE: JUMBO NARROW
(FRET DIMENSIONS ARE BEFORE INSTALLATION)

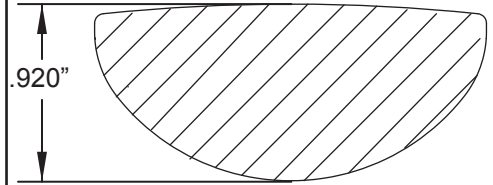


PLEASE NOTE: AS EACH NECK IS SANDED & FINISHED BY HAND, THICKNESS DIMENSIONS MAY VARY SLIGHTLY FROM THOSE SHOWN.

NECK PROFILE: MODERN DEEP "C"

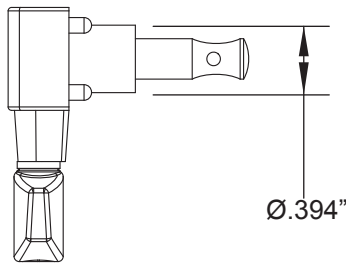


1ST FRET PROFILE

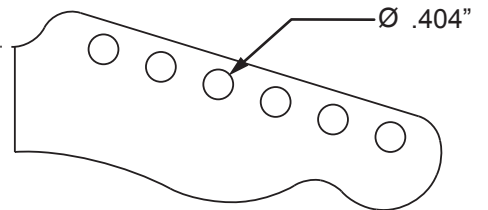


12TH FRET PROFILE

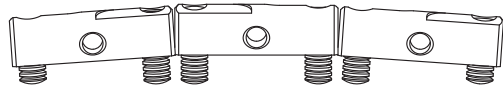
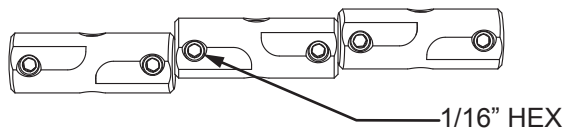
STAGGERED TUNING MACHINE SET W/HDWR P/N 0990820100
OUTER SHAFT DIAMETER .394"



TUNING MACHINE THRU-HOLE
INNER DIAMETER .404"



SADDLE HEIGHT ADJUSTMENT WRENCH:
1/16" HEX KEY P/N 0021109049

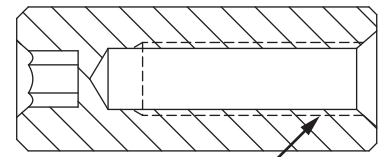
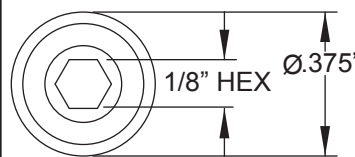


SADDLE HEIGHT SET SCREWS

TALL: P/N 7710428049

SHORT: P/N 7710422049

TRUSS ROD NUT P/N 0994943000
TRUSS ROD ADJUSTMENT WRENCH:
1/8" HEX KEY P/N 0023811049



**10-32
THREAD**

LOGO: AMERICAN PRO TELE
APPLIED UNDER THE FINISH



PICKUP SPECIFICATIONS






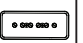






| POSITION | MAGNETS | DC RESISTANCE | POLARITY |
|----------|----------|---------------|----------|
| NECK | ALNICO 5 | 7.1 - 7.7KΩ | NORTH |
| BRIDGE | ALNICO 5 | 7.5 - 7.8KΩ | NORTH |



LTD ED MALAYSIAN BLACKWOOD P90 TELECASTER

(0175107721)

SWITCH AND CONTROL FUNCTION

| 3 WAY SWITCH POSITION | | | |
|---|---|---|---|
|  |  |  | ← 3 WAY SWITCH POSITION |
|  |  |  | ← NECK PICKUP |
|  |  |  | ← BRIDGE PICKUP |
|  | PICKUP IS ON | | INDICATES POSITION OF 3 WAY SWITCH  |
|  | PICKUP IS OFF | | |

